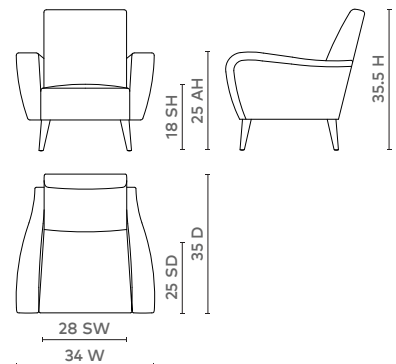




## LEONARD CLUB CHAIR

### LEO-565

- 34w x 35d x 35.5h
- Shown With Kingston Warm White (Fabric No. I430) fabric and Fruitwood (Finish No. 27) legs.
- Default Leg Finish is Fruitwood. Add Finish to Cart below to select a different Option.
- Made by hand in the USA using kiln-dried solid Maple with sinuous springs.
- Cushion Fill: Urethane Foam 75% Polyester Fiber 25%
- 50% Deposit Required. All Sales are Final



**BUNGALOW**  
201.405.1800 | BUNGALOW5.COM